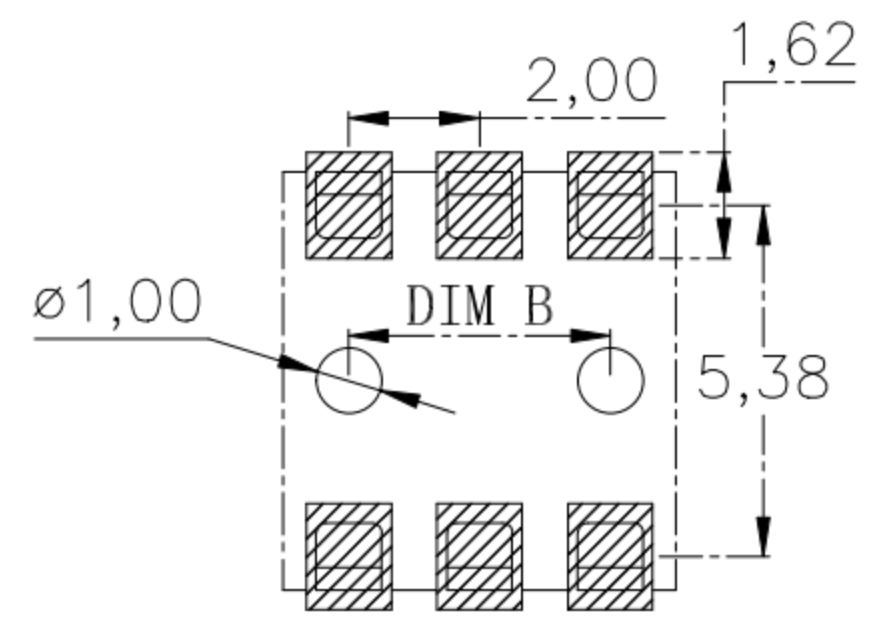
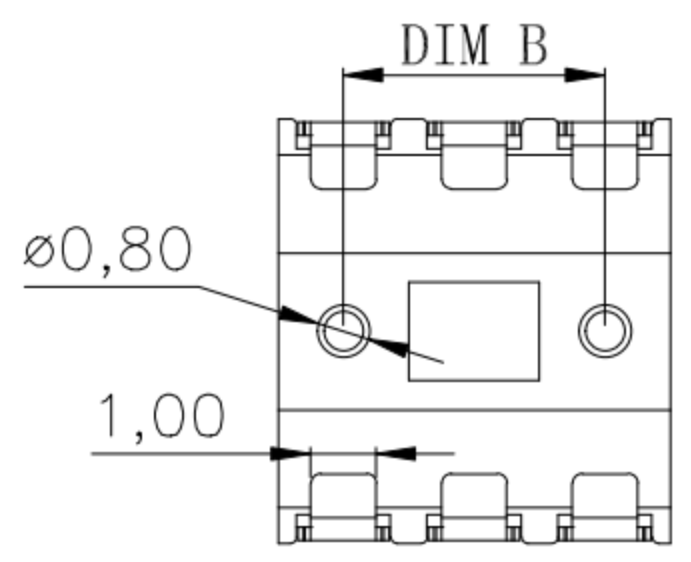
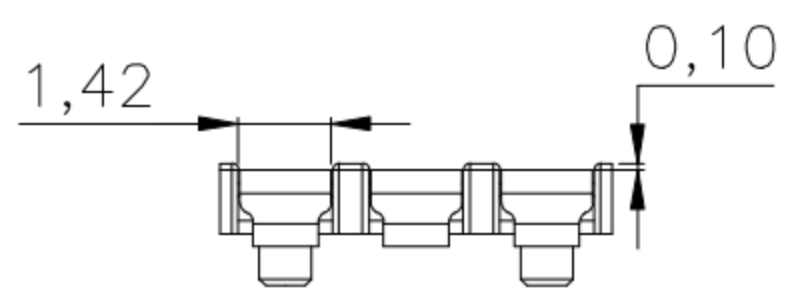
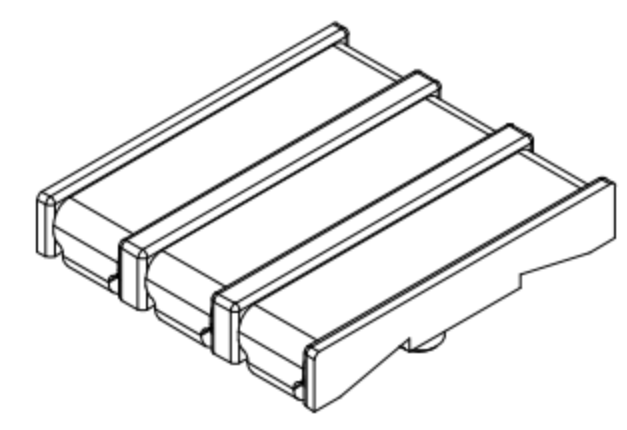
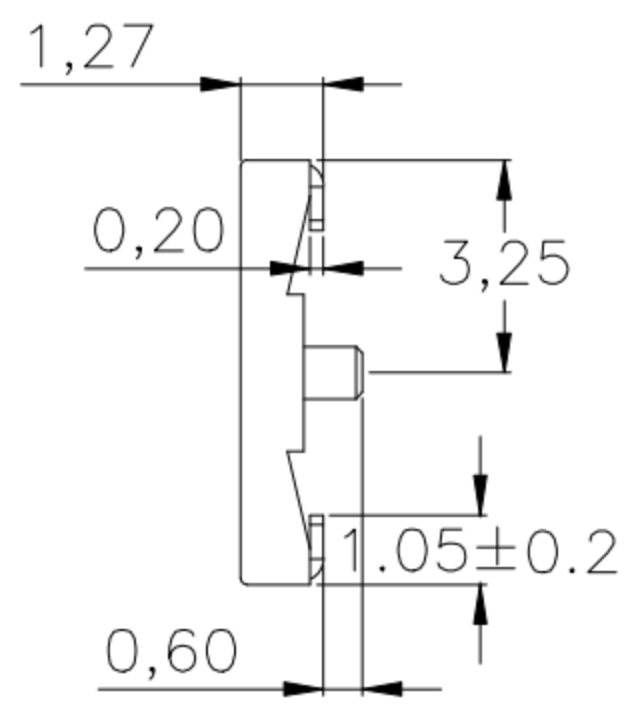
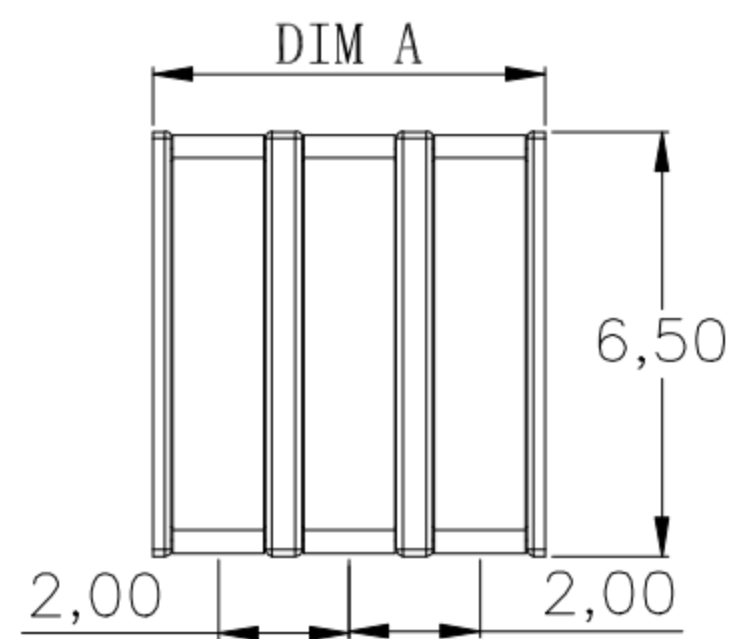


REV.	ECN NO.	DESCRIPTION	DESIGN	DATE
A		INITIAL	Kai	2018.03.29



DIM A	DIM B
4.0	2.0
6.0	4.0
8.00	6.0
10.0	8.0
12.0	10.0
14.0	12.0
16.0	14.0

RECOMMENDED PCB LAYOUT
TOP VIEW (. XX ± 0.05)

性能:
 额定电流: 2.0A
 额定电压: 12V
 耐电压: 500V
 接触电阻: 30mΩ
 绝缘电阻: 500MΩ
 工作温度: -40℃~+85℃
 塑件(材质): LCP
 接触点(材质): 磷铜, 镀金

ITEM	PART NAME	Q'TY	MATERTAL	DESCRIPTION	REMARK
②	HOUSING	1	LCP		BLACK
①	CONTACT A	2	PHOSPHOR BRONZE 0.20T	Au PLATED	

UNLESS OTHERWISE SPECIFIED TOLERANCES							
DECIMALS:				ANGLES:			
DIM	TOL	DIM	TOL	DIM	TOL	DIM	TOL
X.	±0.50	X.	±2°	X.X	±1°	X.XX	±0.20
X.X	±0.30	X.X	±1°	X.XX	±0.10	X.XXX	±0.05
X.XX	±0.20	X.XX	±1°	X.XXX	±0.05	X.XXX	±0.02
X.XXX	±0.10	X.XXX	±1°	X.XXX	±0.02	X.XXX	±0.01

东莞市高迪电子有限公司

DWG NO.	PART NAME:
DESIGN:	PART NO.
CHECK:	REV. A
APPROVED	UNIT: mm
	SHEET: 1/1